

HXSP-2108A Optical Isolation RS-232 to RS-485 Converter User Manual

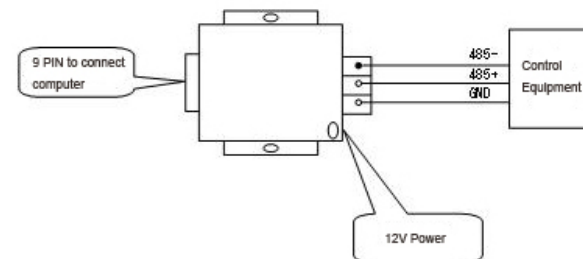
Product introduction

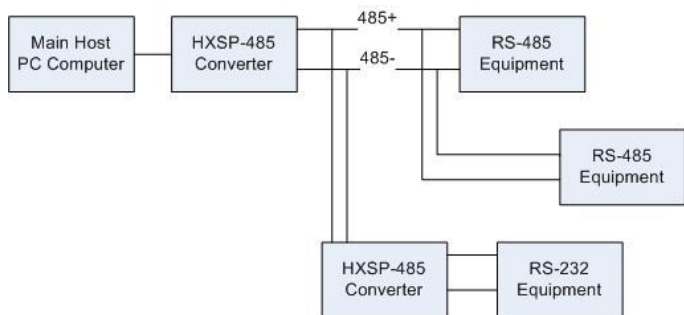
HXSP-2108A converter is the communication converter which change RS-232 signal to RS-485 signal completely isolate. It has the strong drive capability which can drive max to 64 devices on the bus. The communication distance max up to 1000 meters. It is designed elegantly, easy to connect wire, convenient to use. It is widely used in industrial monitoring, civilian PTZ monitoring, and industrial control equipment, and other fields

Product Feature

1. Standard: Accord EIA RS-232, RS-485 standard.
2. Connector: DB9 female on RS-232 side, 3 terminal block on RS-485 side.
3. Optical isolation voltage: 2.5kv pulse/500v continuous
4. Work methods: asynchronous, point to point or multi-point, 2 wire half-duplex.
5. Transmission medium: Ordinary Line , twisted pair cable or Shielded Wire
6. Baud rate: 300~115000bps.
7. Transmission distance:1km (9600bps)
8. Power Supply: 12VDC/mA.
9. Dimension : 53mm x 80mm x 20mm

Wiring diagram:





There are two connection methods:

Two HXSP-485 converters connect:

HXSP-485	HXSP-485
Data (+)	Data (+)
Data (-)	Data (-)
GND	GND

HXSP-485 connect with RS-485 equipment

HXSP-485	RS-485 equipment
Data (+)	T+/R+ or 485+
Data (-)	T-/R- or 485-

Problem analysis :

1. Data communication unsuccessful

- A. Check RS-232 interfaces whether to be correct;
- B. Check RS-485 interfaces whether to be correct;
- C. Check whether RS-232 signal level (TXD , DTR , RTS) lower than +5V, if that, it can get through power from 6th pin of DB9 Male.

2. Data missing or messy code

- A. Check whether the baud rate and format of both sides of data communication equipment are same.
- B. If possible, add the matched resistance on the terminal circuit (120 Ω, 1/4 w)