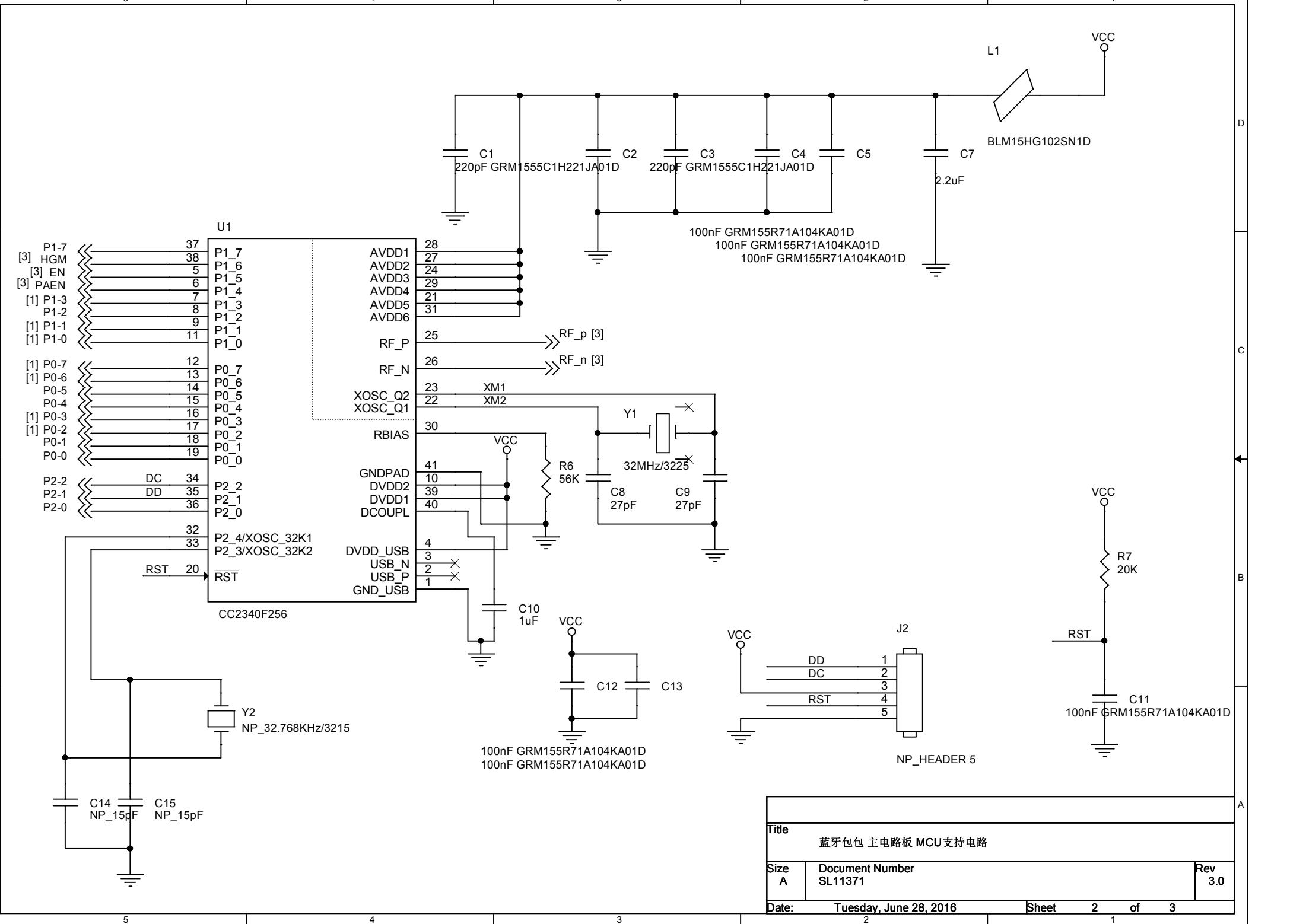
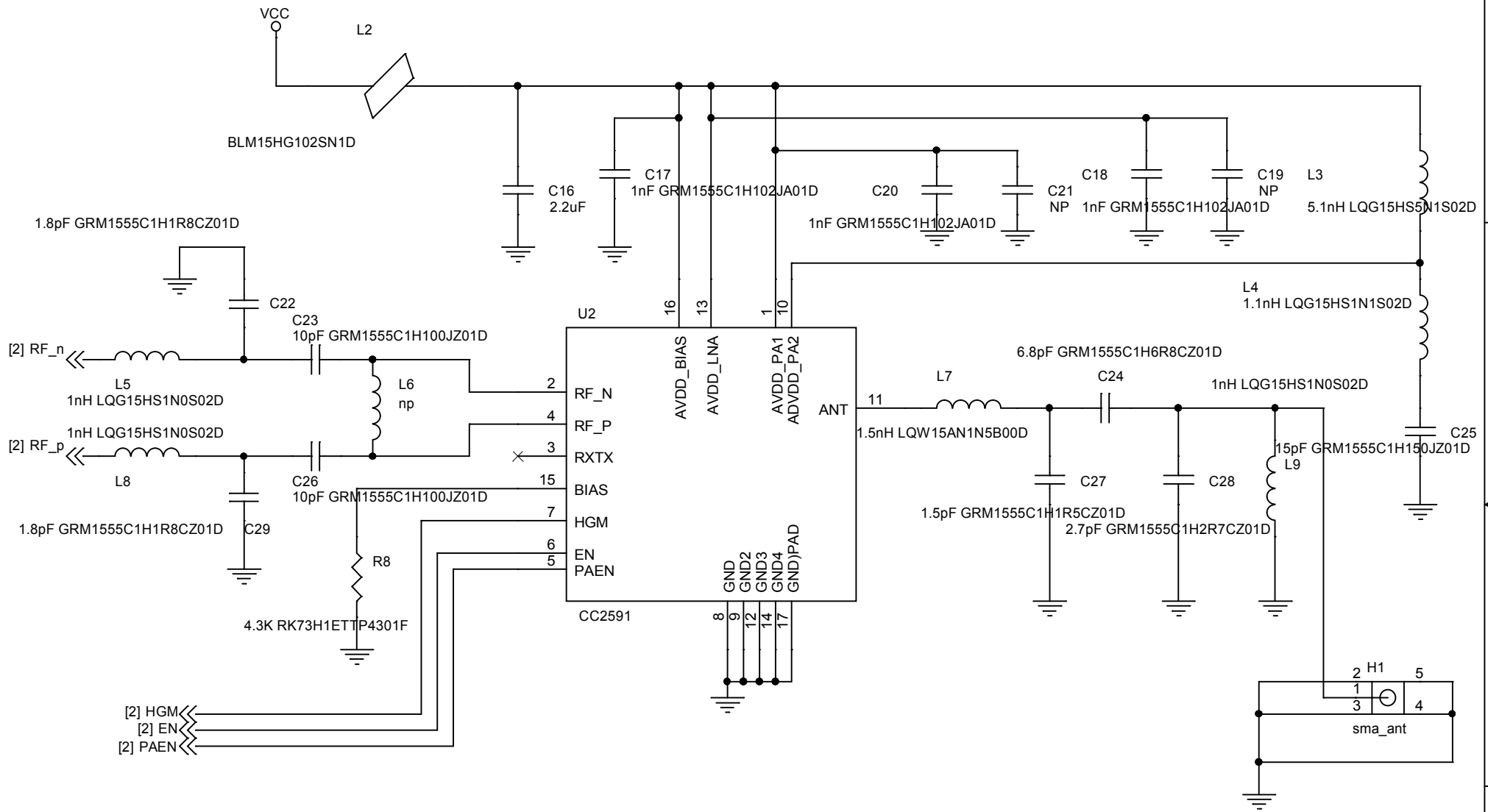


Title		
<Title>		
Size	Document Number	Rev
A	<Doc>	<RevCode>
Date: Tuesday, June 28, 2016		Sheet 1 of 3



Title		
蓝牙包包 主电路板 MCU支持电路		
Size	Document Number	Rev
A	SL11371	3.0
Date:	Tuesday, June 28, 2016	Sheet 2 of 3



Title		
<Title>		
Size	Document Number	Rev
A	<Doc>	<RevCode>
Date: Saturday, June 25, 2016		
Sheet		3 of 3