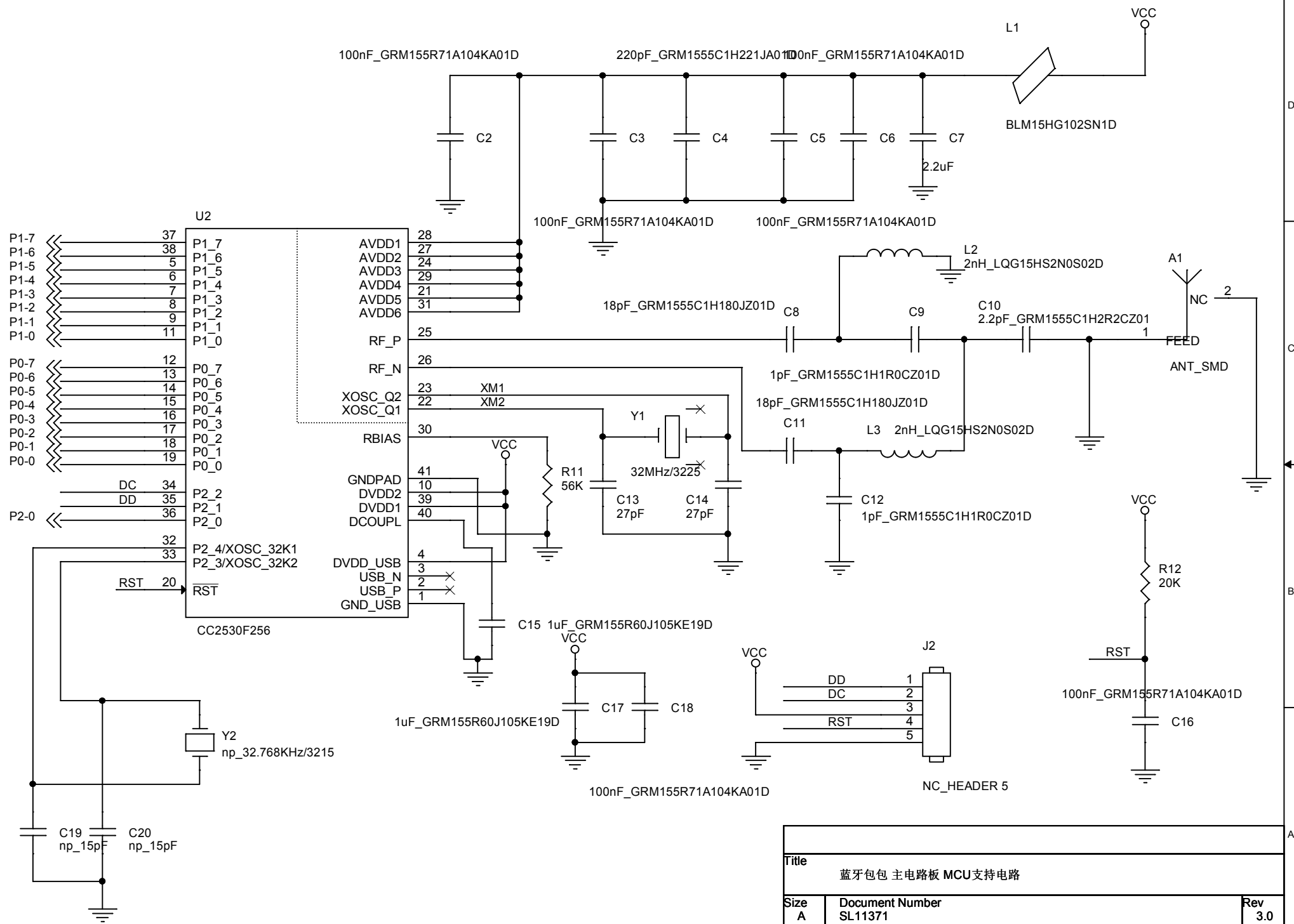


Title		
<Title>		
Size A	Document Number	Rev
	<Doc>	<RevCode>
Date:	Thursday, July 16, 2015	Sheet 1 of 2



Title		
蓝牙包包 主电路板 MCU支持电路		
Size	Document Number	Rev
A	SL11371	3.0
Date:	Thursday, May 26, 2016	Sheet 2 of 2